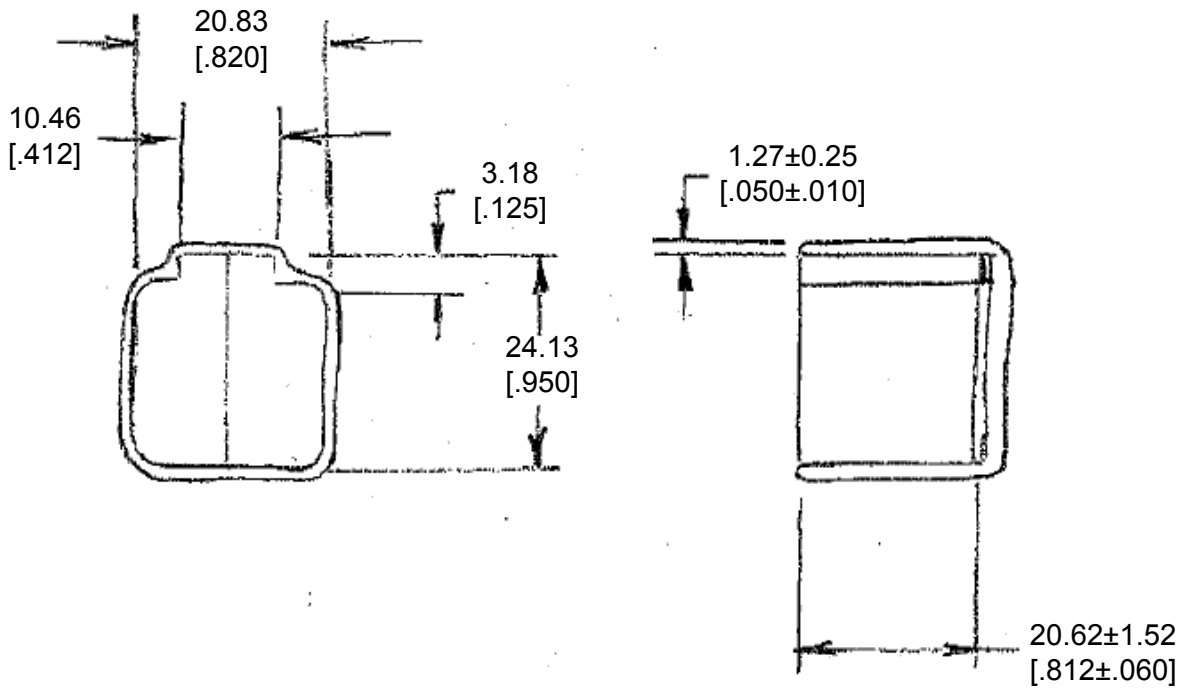


REVISIONS				
P	LTR	DESCRIPTION	DATE	APVD
A		NEW RELEASE PER ECO-14-008762	06-17-14	DM DM



2014

RELEASED FOR PUBLICATION

THIS DRAWING IS UNPUBLISHED.

ALL RIGHTS RESERVED.

© COPYRIGHT 2014 BY TE CONNECTIVITY

- 3. PART NO. DT6P-DC
- 2. TEMPERATURE RATING: -29°C TO +100°C [-20°F TO +212°F]
- 1. THIS PART IS USED ON DT04-6P WITH ANY MODIFICATION

DIMENSIONS: <b>MM [INCH]</b>	DWN	D. MEYER 17JUN2014	MATERIAL	PVC	FINISH	GRAY
	CHK	R. MESSENGER 17JUN2014	TE Connectivity			
TOLERANCES UNLESS OTHERWISE SPECIFIED:	APVD	D. MEYER 17JUN2014				
0 PLC ±	PRODUCT SPEC		SIZE	CAGE CODE	DRAWING NO	RESTRICTED TO
1 PLC ±	APPLICATION SPEC		A 4	4AFU8	© - DT6P-DC	-
2 PLC ± 0.63 [.025]	WEIGHT	4.00 g	Customer Drawing		SCALE	NONE
3 PLC ±			SCALE		SHEET	1 OF 1
4 PLC ±			SCALE		REV	A
ANGLES ± 5°			SCALE			

